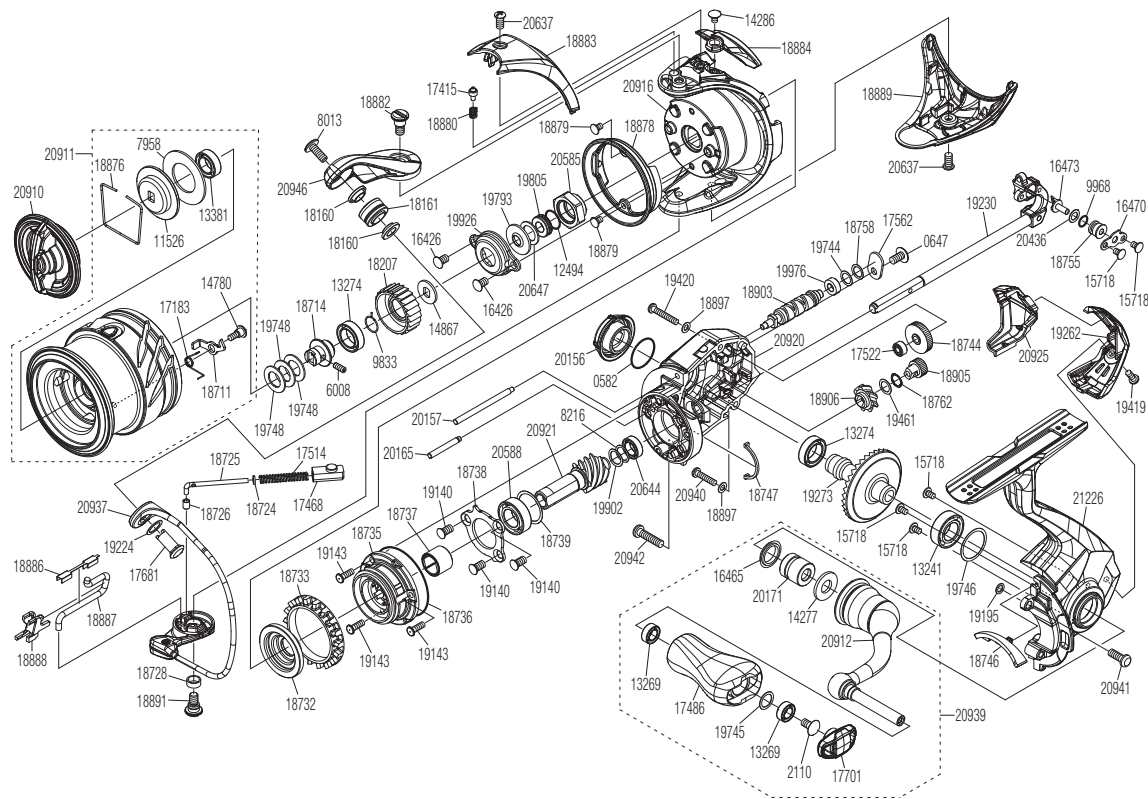


SHIMANO

TWIN POWER SA-RB

TP-1000



Please note that the number of adjusting washers may not always be the same as shown in the exploded views.

(51SF29B010X)

Please note that your actions take full responsibility when you take it apart.

Part No.	Description	Part No.	Description	Part No.	Description
RD 0582	O Ring	RD18736	Roller Clutch Case Seal	RD20156	Handle Screw Cap
RD 0647	Screw	RD18737	Roller Clutch Inner	RD20157	Oscillating Guide A
RD 2110	Screw	RD18738	Bearing Retainer	RD20165	Idle Gear Shaft
RD 6008	Set Screw	RD18739	Washer	RD20171	Handle Shaft Cover B
RD 7958	Drag Washer	RD18744	Idle Gear	RD20436	Washer
RD 8013	Screw	RD18746	Bail Trip Strike	RD20585	Rotor Nut
RD 8216	Spacer	RD18747	Flange Water Proof	RD20588	Ball Bearing
RD 9833	Ratchet Spring	RD18755	Oscillating Slider Bushing	RD20637	Screw
RD 9968	O Ring	RD18758	Washer	RD20644	Ball Bearing
RD11526	Key Washer	RD18762	Washer	RD20647	Washer
RD12494	O Ring	RD18876	Retainer	RD20910	Drag Knob Assembly
RD13241	Ball Bearing	RD18878	Rotor Brim	RD20911	Spool Assembly
RD13269	Ball Bearing	RD18879	Screw	RD20912	Handle Shank Assembly
RD13274	Ball Bearing	RD18880	Click Spring	RD20916	Rotor
RD13381	Ball Bearing	RD18882	Screw	RD20920	Body
RD14277	Washer	RD18883	Bail Spring Cover	RD20921	Pinion Gear
RD14286	Screw	RD18884	Counter Weight Cover	RD20925	Rear Shield
RD14780	Screw	RD18886	Bail Trip Sheet	RD20937	Bail Assembly
RD14867	Spool Support A	RD18887	Bail Trip Lever	RD20939	Handle Assembly
RD15718	Screw	RD18888	Bail Trip Cover	RD20940	Screw
RD16426	Screw	RD18889	Bail Hold Support Guard	RD20941	Screw
RD16465	Handle Shaft Seal	RD18891	Screw	RD20942	Screw
RD16470	Oscillating Pawl Cover	RD18897	Washer	RD20946	Bail Arm
RD16473	Oscillating Pawl	RD18903	Worm Shaft	RD21226	Side Cover Assembly
RD17183	Drag Click Spring	RD18905	Idle Gear (Small)		
RD17415	Click Pin	RD18906	Idle Gear (Large)		
RD17468	Bail Spring Guide B	RD19140	Screw		
RD17486	Handle Knob	RD19143	Screw		
RD17514	Bail Spring	RD19195	Washer		
RD17522	Bushing	RD19224	Washer		
RD17562	Worm Shaft Retainer	RD19230	Main Shaft Assembly		
RD17681	Line Roller Support	RD19262	Rear Protector		
RD17701	Handle Knob Seal	RD19273	Drive Gear		
RD18160	Collar	RD19419	Screw		
RD18161	Line Roller Set	RD19420	Screw		
RD18207	Drag Click Ratchet	RD19461	Washer		
RD18711	Drag Click	RD19744	Washer		
RD18714	Spool Bearing Bushing	RD19745	Washer		
RD18724	Spring Guide A Support Collar	RD19746	Washer		
RD18725	Bail Spring Guide	RD19748	Washer		
RD18726	Spring Guide A Support Collar B	RD19793	Bearing Water Proof		
RD18728	Collar	RD19805	Main Shaft Collar		
RD18732	Rotor Ring	RD19902	Washer		
RD18733	Friction Ring	RD19926	Nut Lock Plate		
RD18735	Roller Clutch Assembly	RD19976	Bushing		